

FIREPLACE ENCLOSURES



SKAMOTEC 225 Fireplace Building Board

The Complete System

The innovative system for building up your fireplace both as back wall protection and around the fireplace.



Benefits at a glance SKAMOTEC 225 is a high heat resistant calcium silicate board with several advantages



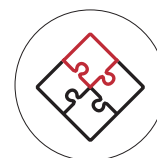
Quartz-free composition



No hazardous particles released during processing



Reaction to fire
A1 certified
100 %
non-combustible material



Easy and fast
processing and
installation

Accessories

SkamoEnclosure Primer

Boards require priming with SkamoEnclosure Primer prior to use - a water based resin primer formulated to prevent issues caused by water uptake on the board which causes a rapid loss of workability and cracking to an applied plaster coating.

The perfect partners for SKAMOTEC 225

SkamoEnclosure Plaster and SkamoEnclosure Glue can be used with SKAMOTEC 225

SkamoEnclosure Plaster

A fast curing cement and fibre based lightweight universal mortar for jointing, filling and surface finishing that requires only the addition of water:

- It has a particularly good workability
- It hardens faster than other similar products
- Easy to install on SKAMOTEC 225

SkamoEnclosure Glue

A water borne adhesive for porous surfaces. It is inorganic and non-cementitious and is used for mounting of SKAMOTEC 225 fireplace building boards.



Technical specifications

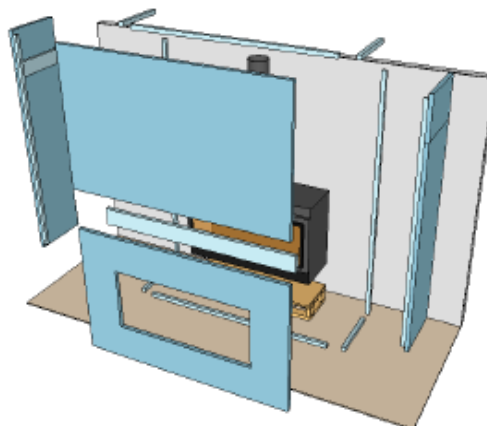
Dimensions	Standard dimension 1	Standard dimension 2	Standard dimension 3
Thickness (mm)	25, 30, 40 and 50	25, 30, 40 and 50	25, 30, 40 and 50
Width x length (mm)	610 x 1000	1000 x 1220	2440 x 1220
Weight (kg)	3.4 to 6.9	6.9 to 13.7	16.8 x 33

Grade	Value
Bulk density, dry	225 kg/m ²
Cold crushing strength (EN ISO 8895)	2.8 MPa
Tensile strength (EN 1607)	610 kPa
Dimension stability under specified temp and humidity conditions (EN 1604) @ 23°C - 90% RH - 48h	0.0 %
Thermal conductivity (EN 12667) @ 10 °C	0.061 W/(mxK)
Reaction to fire (EN 13501-1)	A1

Data are average results of tests conducted under standard procedures and are subject to variation. Data contained in this data sheet are supplied in good faith as a technical service and are subject to change without notice. Misprint and errors excepted.

Installation

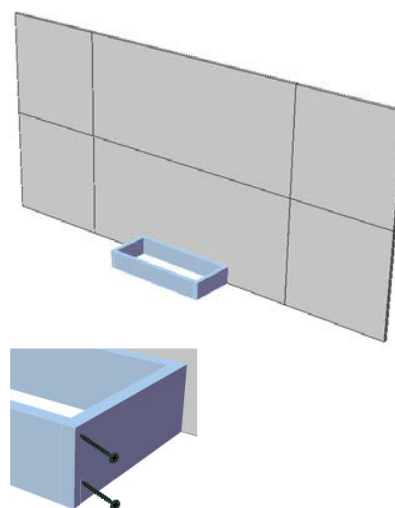
- Cut the SKAMOTEC 225 boards down to size with ordinary wood working tools.
- Fasten the boards with e.g. drywall screws and SkamoEnclosure Glue.
- Ventilation should be made according to the specific stove specification with air intake at the bottom and air outtake at the top.
- Be sure to keep a 3 - 5mm distance between the heat source and SKAMOTEC 225.



1

Assembling fireplace platform (structure)

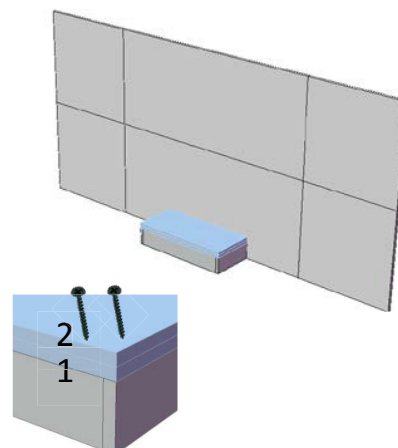
- Use screws (e.g. drywall screws) to screw the boards together and be sure to maintain a minimum edge distance and spacing.



2

Attaching fireplace platform (top)

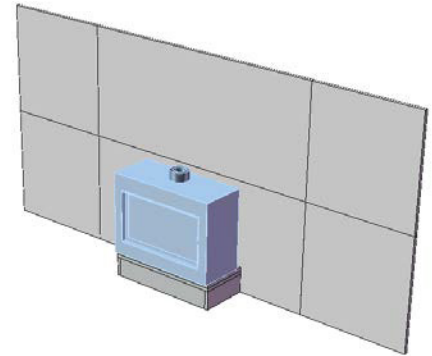
- Fasten the 2 layers of SKAMOTEC 225 using screws.



3

Positioning fireplace & secure in place

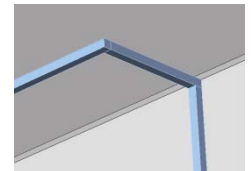
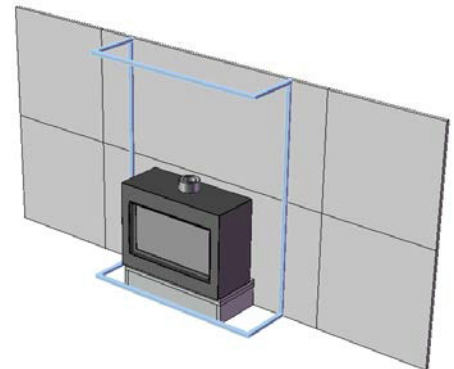
- Make sure to place the fireplace level and square.



4

Installing blocking

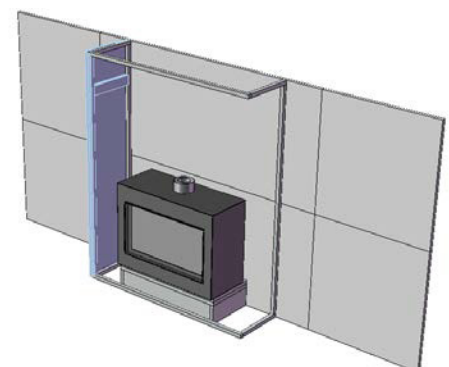
- Use 25 x 38mm Blocking on floor and ceiling and use e.g. wood screws to fasten them to the floor and ceiling.



4.1

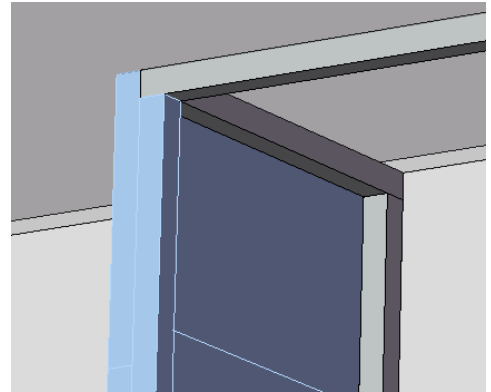
Construction of sidewalls

- Prime the surfaces of the SKAMOTEC 225 boards with SkamoEnclosure Primer and apply SkamoEnclosure Glue to the joints in order to glue the board together.
- Use lap joints.



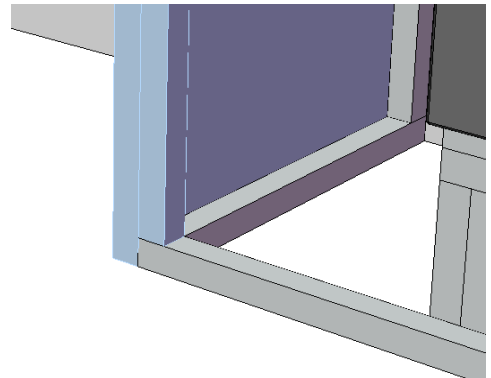
Ceiling:

- Place the SKAMOTEC 225 against the blocking and fasten it by using both screws and SkamoEnclosure Glue. Maintain a minimum edge distance and spacing.



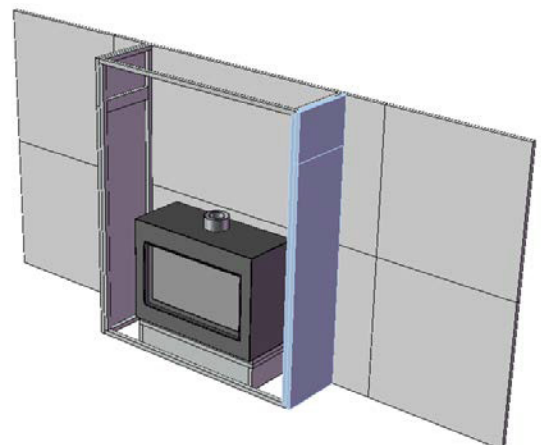
Floor:

- Place the SKAMOTEC 225 board against the blocking and fasten using both screws and SkamoEnclosure Glue. Maintain a minimum edge distance and spacing



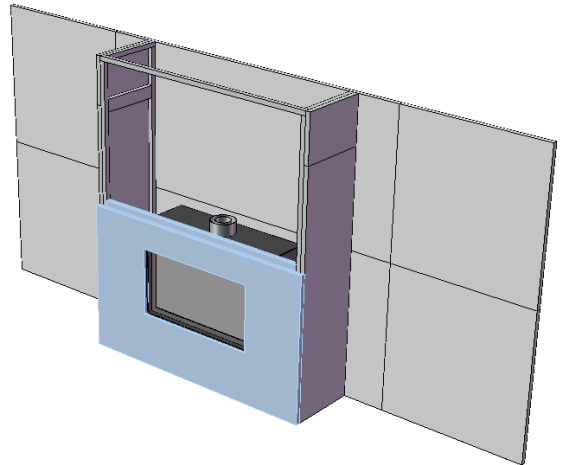
5 Installing side panels

- Prime the SKAMOTEC 225 board with SkamoEnclosure Primer before applying SkamoEnclosure Glue.
- Refer to pages 8, 9 and 10 for further fastener details and how to preassemble the side panels of the SKAMOTEC 225 boards.



6 Installing 2 front bottom panels

- Prime the Surface of the SKAMOTEC 225 with SkamoEnclosure Primer before applying SkamoEnclosure Glue.
- Refer to pages 9 and 10 for further fastener details.

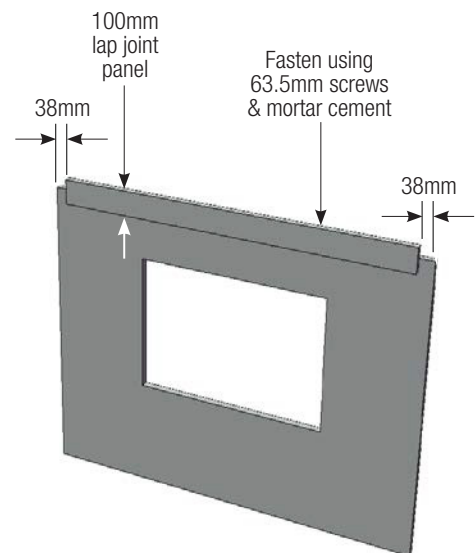


6.1 Lap joint panel

- Fasten the lap joint panel by using both screws and SkamoEnclosure Glue.

NOTE: Maintain a minimum edge distance and spacing.

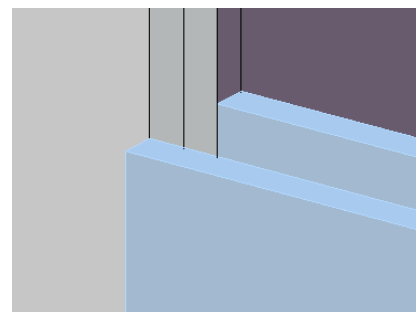
NOTE: Fireplace Opening
Maintain a minimum of 5mm clearance all around to allow expansion of the board.



6.2 Fastening the 2 front bottom panels

- Locate the 2 SKAMOTEC 225 boards against the blocking and the side panels. Use both screws and SkamoEnclosure Glue to fasten the boards.

NOTE: Maintain a minimum edge distance and spacing.



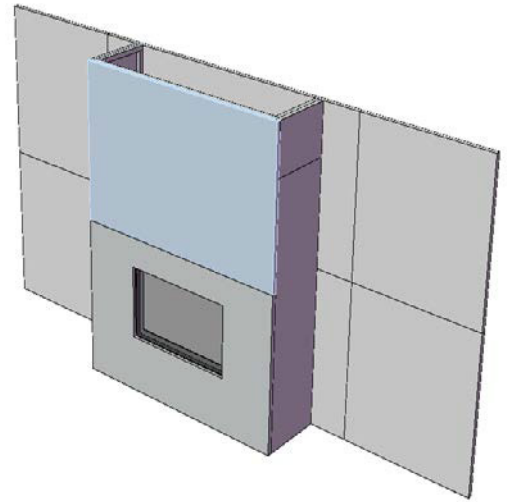
7

Installing front top panel

- Fasten the SKAMOTEC 225 board at the bottom and top against the blocking and side panels using both screws and SkamoEnclosure Glue.

NOTE: Maintain a minimum edge distance and spacing.

Refer to pages 8 and 9 for further fastener details

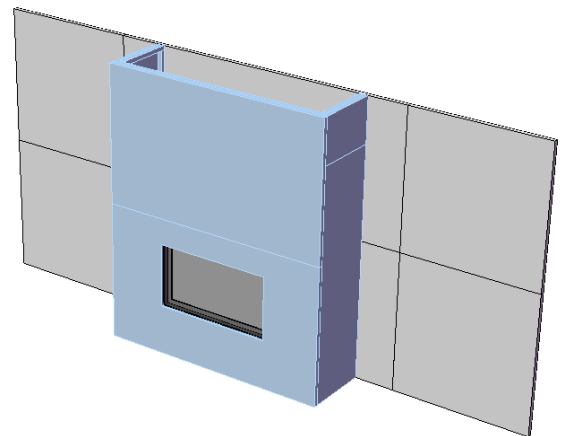


8

Complete installation

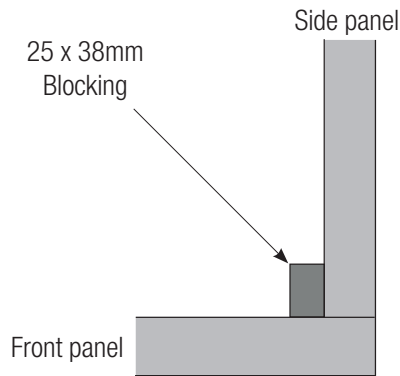
- High temperature plaster or SkamoEnclosure Plaster can be used to create a spotless finish to the surface of the fireplace.

NOTE:
Prime the SKAMOTEC 225 boards with SkamoEnclosure Primer before applying any finishing plaster or paint.

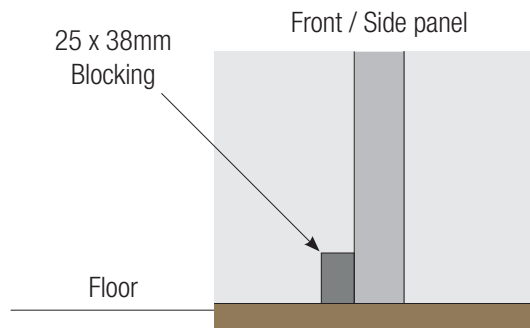


Blocking

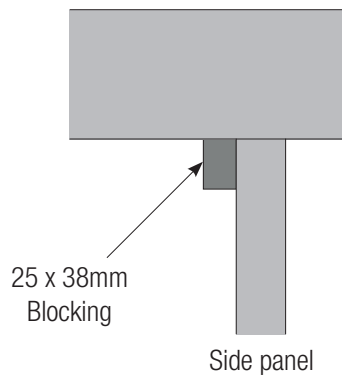
Corner detail



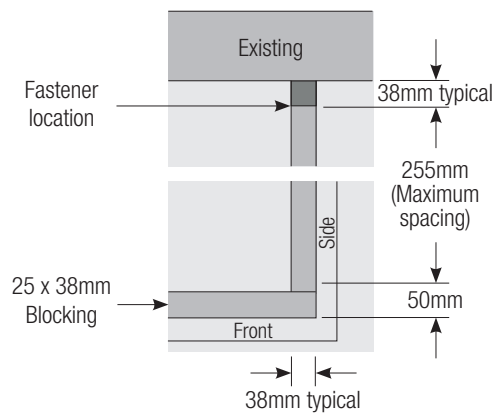
Floor detail



Wall detail

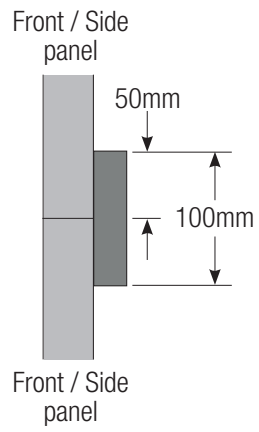


Blocking detail (plan view)

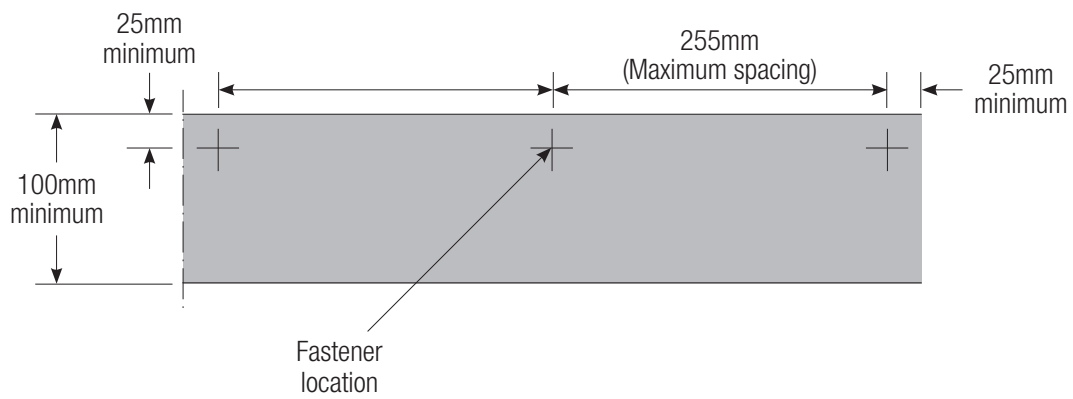


Lap joint detail

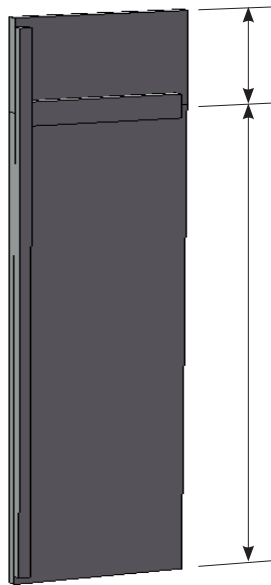
Section view



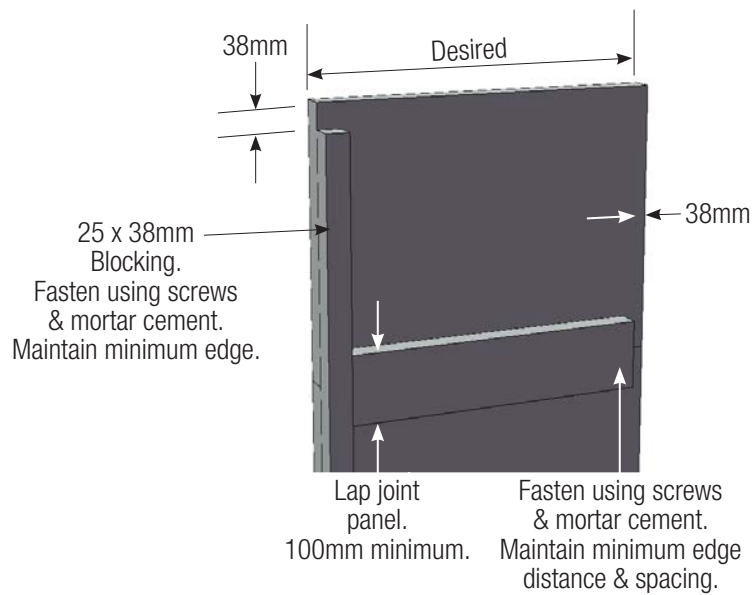
Fastener detail



Preassembling side panels



Lap joint



Distributed by

IMS Insulation Machining Services
Dock Road South, Bromborough
Wirral CH62 4SP

0151 645 9000

sales@ims-insulation.com

www.ims-insulation.co.uk

IMPORTANT: Directions for installation and use are given for guidance only and are not intended to form part of any contract. Goods supplied by the company are made to approved standards from the highest quality raw materials but no warranty or guarantee is given as to their suitability for any particular purpose or application, and no liability is accepted for any loss or damage arising directly or indirectly from the use of the Company's products irrespective of any information given to us as to intended use of such products.



IMS products are part of the **SIG** PERFORMANCE TECHNOLOGY range

Due to our policy of continuous development, we reserve the right to change design and specifications without prior notice. Although every care is taken to ensure accuracy, this brochure is a general guide produced for promotion purposes and all illustrations, examples and photographs are for reference only. Specific technical advice should be taken before proceeding with any transaction. IMS does not accept responsibility for any loss as a result of any company or person relying on material in this publication, or for any mistakes or misprints. Specific fact sheets and technical information are available from the IMS technical department on 0151 6459000.

Reproduction of any part of this publication in any manner is not permitted without prior consent from IMS. IMS is a trading name of SIG Trading Limited.

ims
insulation machining services